
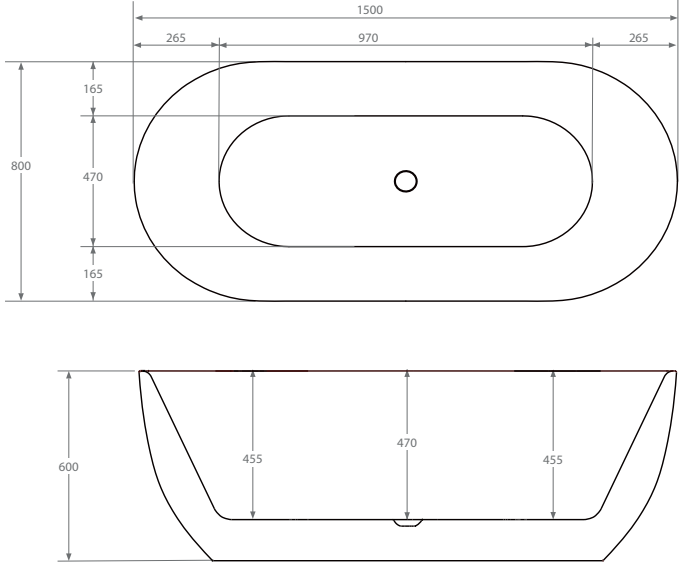




NOVA 1500 OVAL FREESTANDING BATH

| Product Image | Technical Specification |
|---|---|
|  |  |
| <p>Please allow a 1-3mm tolerance on all measurements.</p> | |

| Description |
|---|
| <p>Nova 1500 Oval Freestanding Bath</p> <p>FS836815 1500 x 800 x 600mm</p> |

| Additional Information |
|--|
| <ul style="list-style-type: none"> • Lucite-Sanitary grade acrylic • No overflow • Gloss Finish - Anti Yellowing • Waste not included • Reinforced waste area • Solid base support system • Stainless Steel adjustable feet • Bath weight 42kg |

